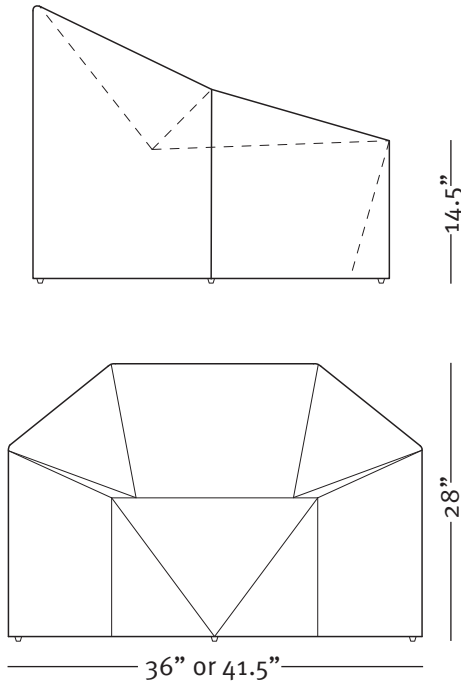


LERIVAL

Hex Chair

Incorporated Architecture & Design



Hex Chair

The upholstered Hex Series extends the dialogue that began with the Stainless Steel Hex Table into the realm of upholstered goods. The Hex Series embodies first and foremost flexibility, presenting the ultimate exploration in multiplying scale and use: one can just as easily imagine a Hex Chair, Ottoman or Stool standing alone as one can see all three amidst an endless landscape of Hex furnishings. Formally, the Hex Series is a new classic, embodying the timeless geometry of nature, able to always stand strong against any mix of interior styles.

About Incorporated Architecture & Design

Incorporated is a multi-disciplinary architecture and design studio with experience across a wide range of project types that specializes in the integration of the design disciplines. Having executed hotels, residential buildings, restaurants, galleries, retail stores, private residences and products, Incorporated approaches a chair, a room and a super structure all with a singular philosophy.

Dimensions: Seat Height is 14.5" (36.8cm), Back Height is 28" (71.1cm), Depth is 36" or 41.5" (91.4 cm or 105.4 cm)

Materials & Finishes: Standard upholstery (as shown) is Divina Melange by Kvadrat.
COM / COL accepted.

Pricing: Please refer to Price List for List and Wholesale pricing, and product lead times.
Additional shipping charges will apply.