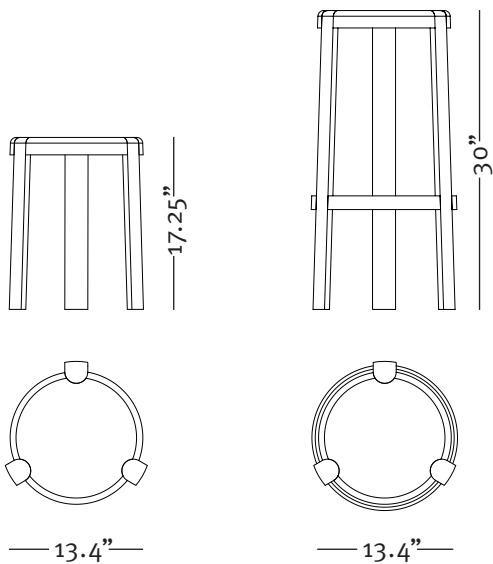


LERIVAL

Swedish Baby

St Ely



Swedish Baby

The Swedish Baby series of stools is a take on the classic three-legged wooden stool. The side assembly of the legs reveals a delicate connection detail, while the formal language is a play on the tension between the sharp and the soft. Available in table height (shown), counter height and bar height.

About St Ely

Montreal-based St-Ely is a collaboration between Eugénie Manseau, an industrial designer and Hubert Pelletier, an architect. Their work is based on their distinct sense of scale and their common search of self-contained beauty through geometry.

Dimensions

Table Height: Seat width is 13.4" (34 cm), Height is 17.25" (43.8 cm)
Bar Height: Seat width is 13.4" (34 cm), Height is 30" (76.2 cm)

Materials & Finishes: CNC-milled solid wood, available unfinished or with a matte glaze in clear, stained or opaque. Standard colors for either stained or opaque are Light Gray, Charcoal, or Sunshine. Custom colors available upon request.

Pricing: Please refer to Price List for List and Wholesale pricing, and product lead times.
Additional shipping charges will apply.