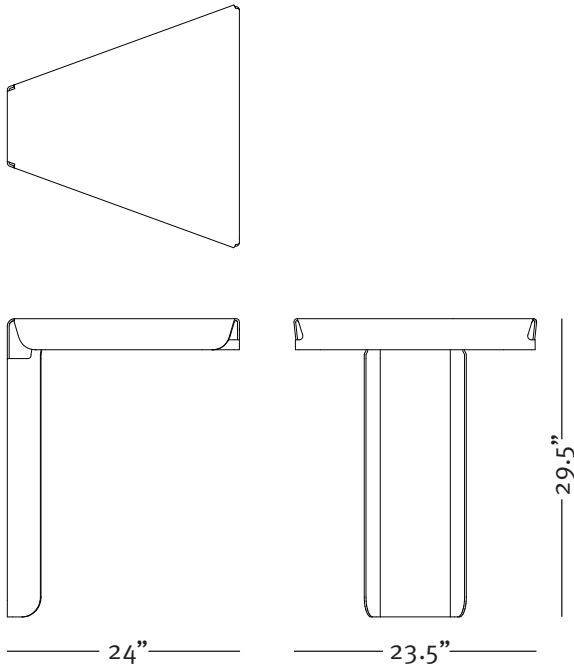


# LERIVAL

## Table Table

MOS



### Table Table

Table Table is an exploration into folded aluminum that tests the limits of material strength, surface identity and modular configuration. The result is a single 'L' shaped unit, able to be infinitely attached to other identical units and expanded endlessly into any layout imaginable. Table Table presents an ideal solution for the user who demands at once a work space, an all-purpose surface and a formal dining room, yet without the space to dedicate permanently to all three. By encouraging this continuous reconfiguration, Table Table manages to effortlessly weave playfulness and individuality through otherwise simple, everyday activities.

### About MOS

MOS was founded in 2003 by Michael Meredith and Hilary Sample. MOS works with a variety of clients all over the world, designing private houses, institutional buildings, urban strategies, research, books, installations, furniture, and other projects that are less easily categorized. MOS strives to engage architecture as an open system of interrelated issues ranging from architectural typology, digital methodologies, sustainability, structure, fabrication, materiality, tactility, and use, as well as larger networks of the social, cultural, and environmental. This open and inclusive process drives MOS, producing and inflecting environments at a multiplicity of scales.

**Dimensions:** Each 'L' unit has the following dimensions:

Height: 29.5" (74.9 cm)

Width: 25" (63.5 cm)

Depth: 24" (61 cm)

**Materials & Finishes:** Bent aluminum, powder coated. Shown here in White, also available in Eggplant. Additional colors, as well as an anodized finish, available by request.

**Pricing:** Please refer to Price List for List and Wholesale pricing, and product lead times.

Additional shipping charges will apply.